

(No Model.)

R. W. AITKEN.

STEAM BOILER.

No. 344,071.

Patented June 22, 1886.

Fig. 1.

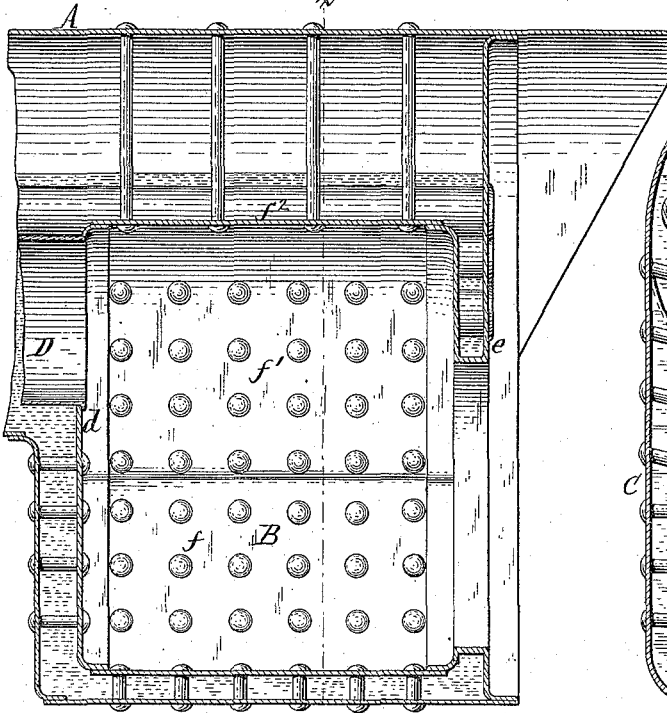
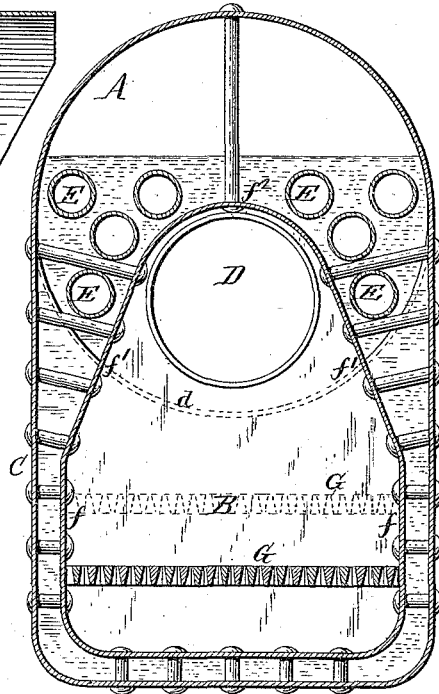
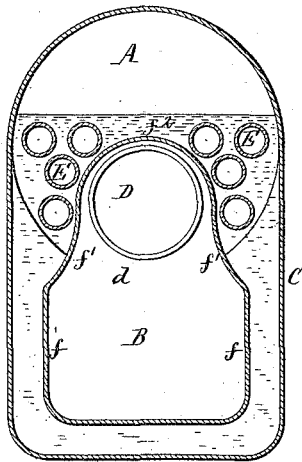


Fig. 2.



x.

Fig. 3.



Chas. J. Buchheit,
 Theodore L. Popp, Witnesses.

R. W. Aitken, Inventor.
 By Wilhelm Rönner,
 Attorneys.

UNITED STATES PATENT OFFICE.

ROBERT W. AITKEN, OF BUFFALO, NEW YORK, ASSIGNOR OF ONE-HALF TO
THE PITTS AGRICULTURAL WORKS, OF SAME PLACE.

STEAM-BOILER.

SPECIFICATION forming part of Letters Patent No. 344,071, dated June 22, 1886.

Application filed September 1, 1885. Serial No. 175,937. (No model.)

To all whom it may concern:

Be it known that I, ROBERT W. AITKEN, of the city of Buffalo, in the county of Erie and State of New York, have invented new and useful Improvements in Steam-Boilers, of which the following is a specification.

This invention relates to an improvement in that class of steam-boilers which are provided with a direct flue extending from the fire-box to a combustion-chamber at the rear end of the boiler, and with a number of return-flues running from said combustion-chamber to a smoke-box at the front end of the boiler.

The object of my invention is to improve the construction of the fire-box in such manner as to facilitate the adjustment of the grate and to improve the arrangement of the return-flues.

My invention consists to these ends of the improvements which will be hereinafter fully set forth, and pointed out in the claim.

In the accompanying drawings, Figure 1 is a longitudinal sectional elevation of the fire-box and adjacent parts of a steam-boiler provided with my improvements. Fig. 2 is a cross-section in line *x x*, Fig. 1. Fig. 3 is a similar view on a reduced scale, showing a slightly-modified form of the fire-box.

Like letters of reference refer to like parts in the several figures.

A represents the cylindrical boiler, B the fire-box, and C the water-jacket surrounding the fire-box.

D represents the direct flue, extending from the upper portion of the flue-sheet *d* of the fire-box in a well-known manner to the combustion-chamber at the opposite end of the boiler, which is not shown in the drawings.

E represents the return-flues, which are arranged in the shell A on both sides of the direct flue D, and which extend beyond the fire-box to the flue-sheet *e*, through which they open into a suitable smoke-box. The side plates of the fire-box are composed of lower vertical portions, *f*, and upper contracted or converging portions, *f'*. The crown-sheet *f''*, connecting the upper ends of the contracted portions *f'*, is made concentric with the direct flue D. This construction of the side walls of the fire-box permits the return-flues E to be arranged lower in the shell A on both sides of the flue D than ordinarily, thereby increasing the heating-surface of the return-flues and decreasing the height of the water-level above the flues, whereby steam is made more rapidly than heretofore. This construction also enables the grate G to be raised and lowered in the fire-box, thereby permitting the grate to be placed low for burning straw, as indicated in full lines, or higher for burning coal, as indicated in dotted lines.

I claim as my invention—

In a steam-boiler, the combination, with the direct flue D and return-flues E, of a fire-box having its side walls composed of lower vertical portions, *f*, and upper converging portions, *f'*, and having a crown-sheet, *f''*, made concentric with the direct flue D, substantially as set forth.

Witness my hand this 8th day of August, 1885.

ROBERT W. AITKEN.

Witnesses:

O. H. KROTZ,
THEO. L. POPP.